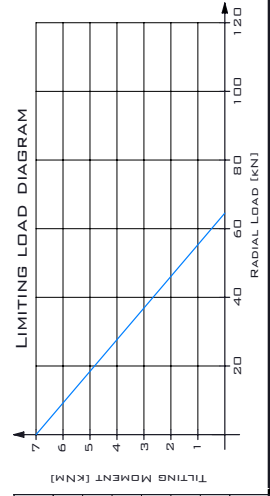
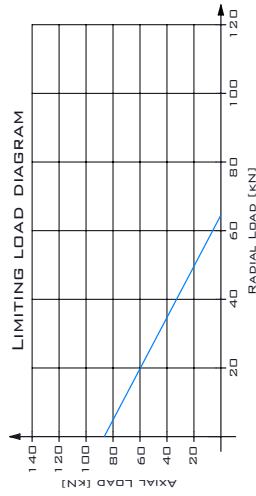
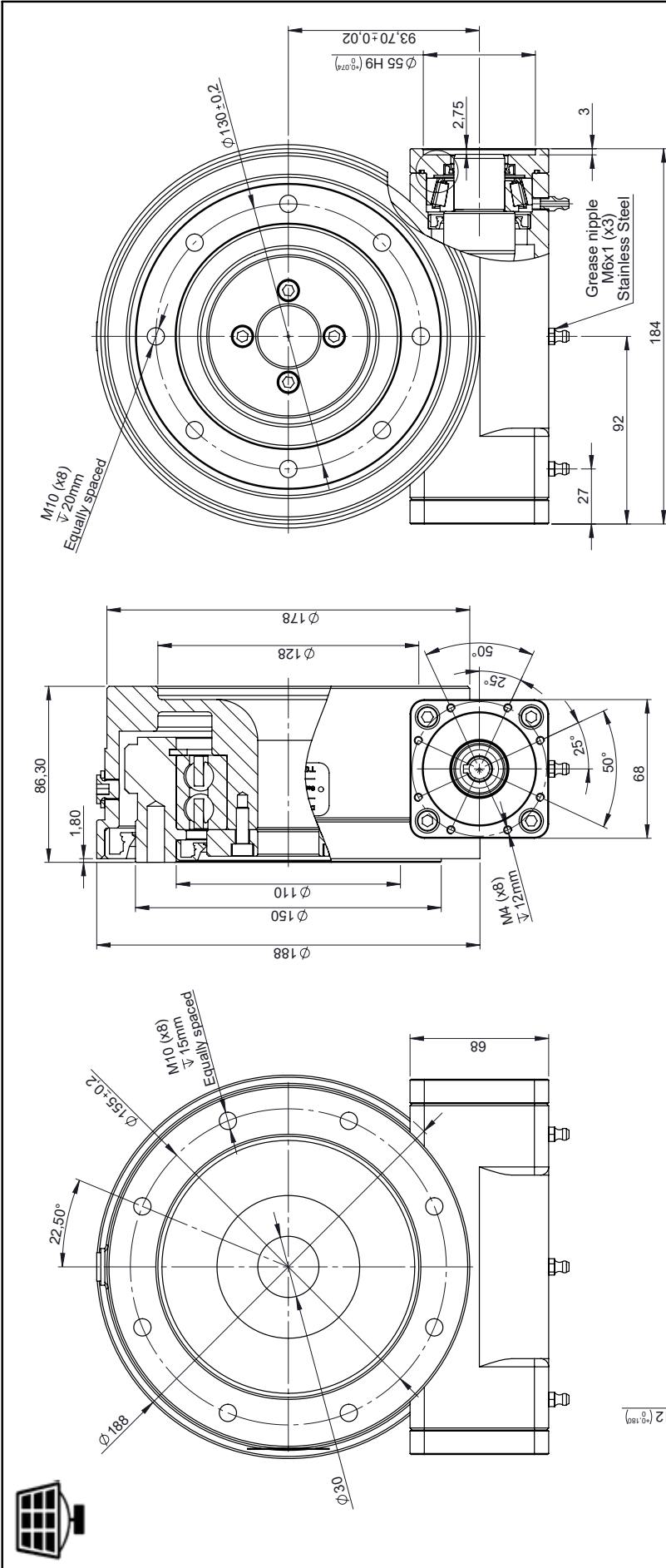


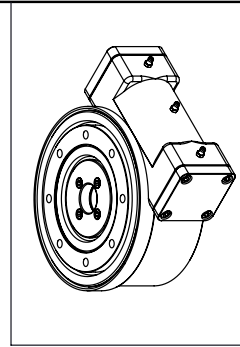
TE SERIES

METRIC



| MAIN PERFORMANCE PARAMETERS | |
|-----------------------------|---------|
| GEAR RATIO | 6.2:1 |
| HOLDING TORQUE | 5KNM |
| EFFICIENCY | 90% |
| TILTING MOMENT | 7.1KNM |
| SELF-LOCKING GEAR | YES |
| RADIAL STATIC LOAD | 64KN |
| AXIAL STATIC LOAD | 84KN |
| RADIAL DYNAMIC LOAD | 75KN |
| AXIAL DYNAMIC LOAD | 98KN |
| NOMINAL TORQUE | 1.200NM |
| BACKLASH CLEARANCE | <0.26° |
| MAXIMUM TORQUE | 6000NM |
| AXIAL DYNAMIC LOAD | 98KN |

NOTES: ALL BEV DRIVE ARE PRE-LUBRICATED. MAXIMUM OUTPUT SPEED 1800M. ALL BEV DRIVE DACROMET TREATED.



TGBGROUP
www.tgbgroup.com
info@tgbgroup.com

TGB

Reference: **TE160-Z1-RM**

Denomination: Sales Drawing

MATERIAL: - WEIGHT [kg]: 14.00

SCALE: - SIZE: -

NUM. PIECES: 1

SHEET: 1 of 1

Rev: B

Units: mm

SHAFT: $\Phi 12$ MM KEYS SHAFT

The information on this document is property of TGBgroup. It is not to be used or reproduced in any way without the express written consent of TGBgroup. TGBgroup reserves the right to change specifications without previous notice. All dimensions are in millimeters unless otherwise specified.